

Merlot Front Mount Seat

Merlot Front Mount Seat

The MERLOT is a high quality fully upholstered seat with a steel frame. The modern styled, ergonomic seat provides a high level of comfort and durability, designed and developed for use in retractable platform seating applications. The MERLOT is a functional choice for educational precincts, conference halls and theatres.

The MERLOT base is fixed; the back is manually raised by the user and automatically closed when retracting the platform to the stored position.

The MERLOT is available in 480mm and 500mm width. Each seat is individually mounted on the platform and can be utilised as a bench style seat with a backrest.

The MERLOT has backrests and bases fully upholstered using 35kg/m grade foam and commercial grade fabrics that can be customised to suit your school, club or existing décor.

Product Standards

Strength and durability

BS EN 12727:2000 (test level 4)

Fire Resistance and Ignitability

BS 5852:2006

BS 7176:2007

BS EN 1021-1:2006

BS EN 1021-2:2006

Colour Fastness

AATCC107:2002

AATCC15:2002

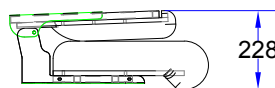
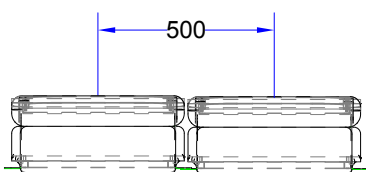
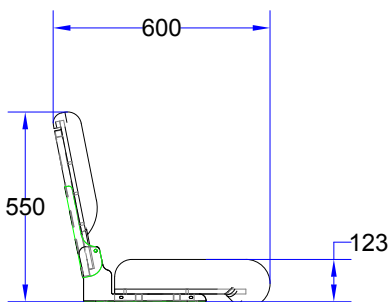
AATCC8:2001

Abrasion Resistance

ASTM D966-98 Martindale 12Kpa

Tear Strength

ASTM D2261



Applications



Schools



Universities



Sports Venues



Stadiums

Plastic Colours

Interseat has a standard range of 16 colours available and can provide samples upon request.

Contact us now on 1300 798 769 or interseat.com.au